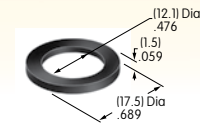


Change Notice

Material of Rubber O-ring

Type of Change:

- Engineering Part Number
- Product Appearance

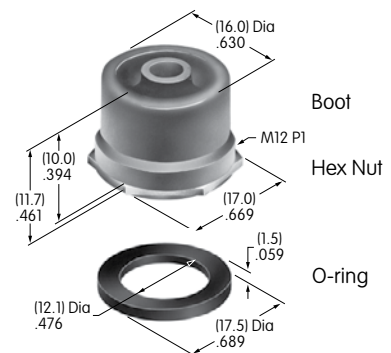


AT401P

The material for the rubber o-ring AT401P will change.

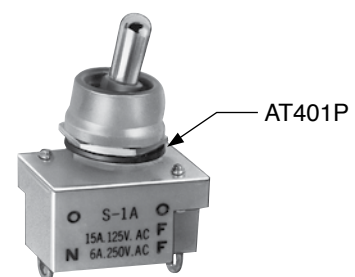
This change will affect the following products:

- **AT401A/H/S** Splashproof Boot Assembly
- **M Toggles and MB2000 Pushbuttons**
with 12mm Splashproof Bushing (standard hardware)
- **WT Toggles** (standard hardware)
- **WB Pushbuttons** (standard hardware)
- **TL Toggles** (optional hardware)



**AT401A/H/S Splashproof
Boot Assembly**

O-ring Material Change	
Before Change	After Change
Material: natural rubber	Material: NBR



**S Series Toggle with
AT401A/H/S Splashproof Boot
Assembly**

Effective Date

Change will be effective with December 2011 production.